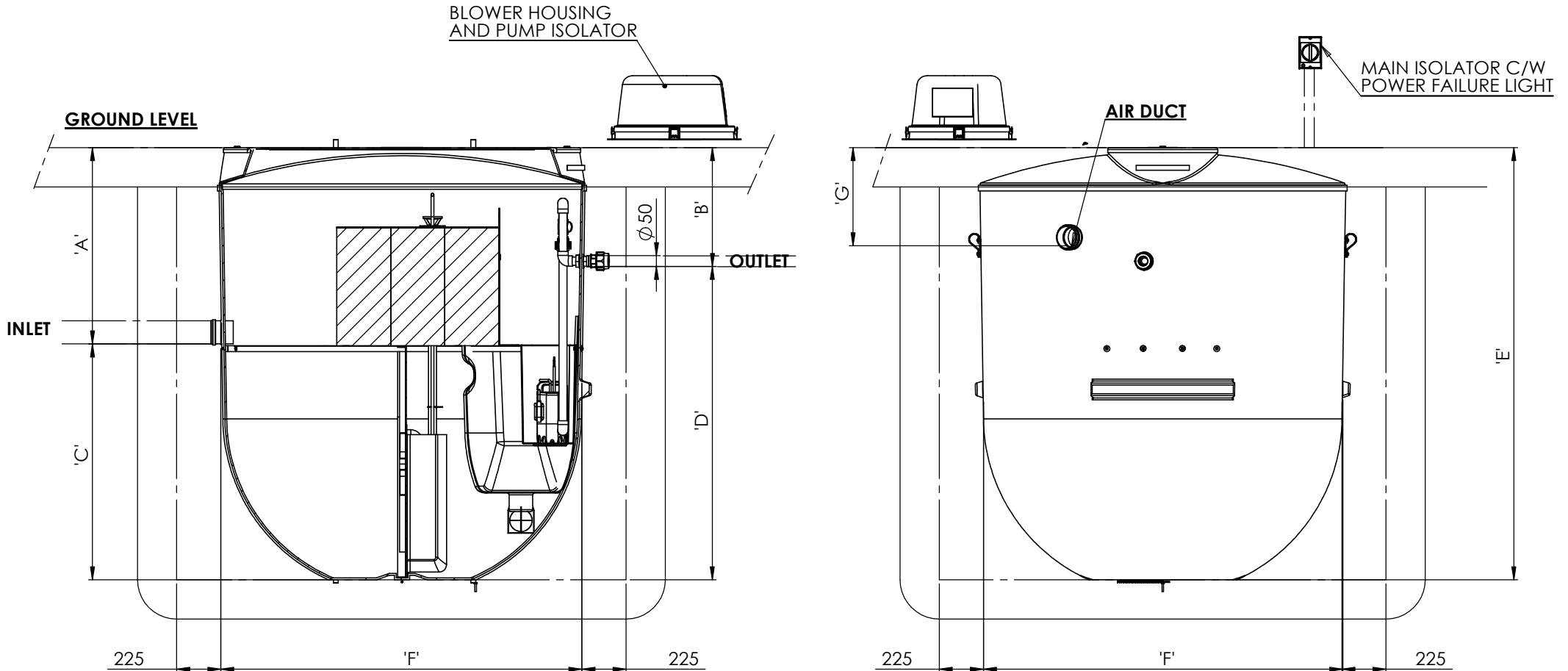


Notes:

1. This drawing is for 'Dimensional Information Only'. It is essential that this drawing is read in conjunction with the 'Installation Guidelines' supplied with the unit. (Copies available from our sales department).
2. All Pipe connections are $\varnothing 110.0\text{mm}$ PVCu.
3. All units require appropriate 'Cover' & 'Frame' to suit site loadings (standard cover supplied).
4. Blower assembly mounted externally, within 10m of treatment plant.
5. Isolator mounted close to treatment plant so power failure light is visible, wiring from main isolator to be fed back to blower housing and connected to blower and pump isolator.
6. $\varnothing 160\text{mm}$ Inlet Option - By External Adaptor Only.

Unit Dimension Chart								
Unit	Dim 'A' (mm)	Dim 'B' (mm)	Dim 'C' (mm)	Dim 'D' (mm)	Dim 'E' (mm)	Dim 'F' (mm)	Dim 'G' (mm)	Unit Weight (Kgs)
E006P10AK	1000	600	1200	1600	2200	1850	500	260
E006P15AK	1500	600	1200	2100	2700	1850	500	280
E012P10AK	1000	600	1700	2100	2700	1850	500	285
E012P15AK	1500	600	1700	2600	3200	1850	500	305



Please check with Kingspan Environmental that this drawing is the latest issue						Drawing : DS0969P - E6 & E12 IPS		Page 1 of 1
Issue	Date	Drawn by	Approved by	Description	Material : Various	Tolerance :		
04	26/11/13	JMcM		CC1165 - Column 'D' Dimensions amended	Finish :	Thickness : n/a		
03	11/06/12	JMcM		CC1048	Weight : 893.33 Kg Kgs	Surface Area :		
02	10.11.10	J.McM		CC901 - Amend Weights			E6 & E12 TREATMENT PLANTS (PUMPED)	
All dimensions in mm			Scale: Not to scale			Kingspan Environmental reserve the right to alter the details of this drawing without prior notice. This drawing is copyright and may not be reproduced or used without the written permission of Kingspan Environmental.		

